

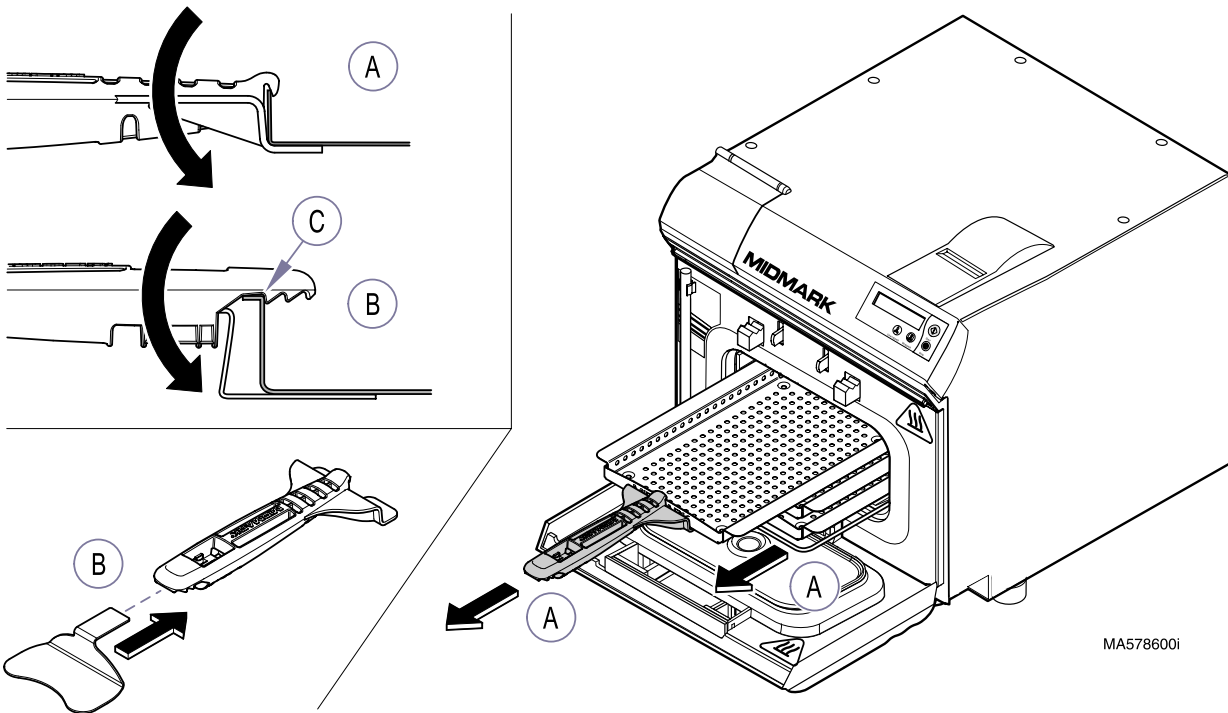
KIT COMPONENTS

| Part Number | Description | Qty |
|---------------|----------------------------|-----|
| 9A307001 | Tray / Cassette Tool | |
| • 053-1038-00 | Tool, Tray / Cassette..... | 1 |
| • 050-4660-00 | Plate, for Trays | 1 |
| • 050-4660-01 | Plate, for Cassettes..... | 1 |
| • 003-1218-00 | Instructions | 1 |

GENERAL INFORMATION

To provide a safe means for removing trays and / or cassettes from the Midmark sterilizers through use of a non-heat conducting handle and related plates..

TRAY REMOVAL

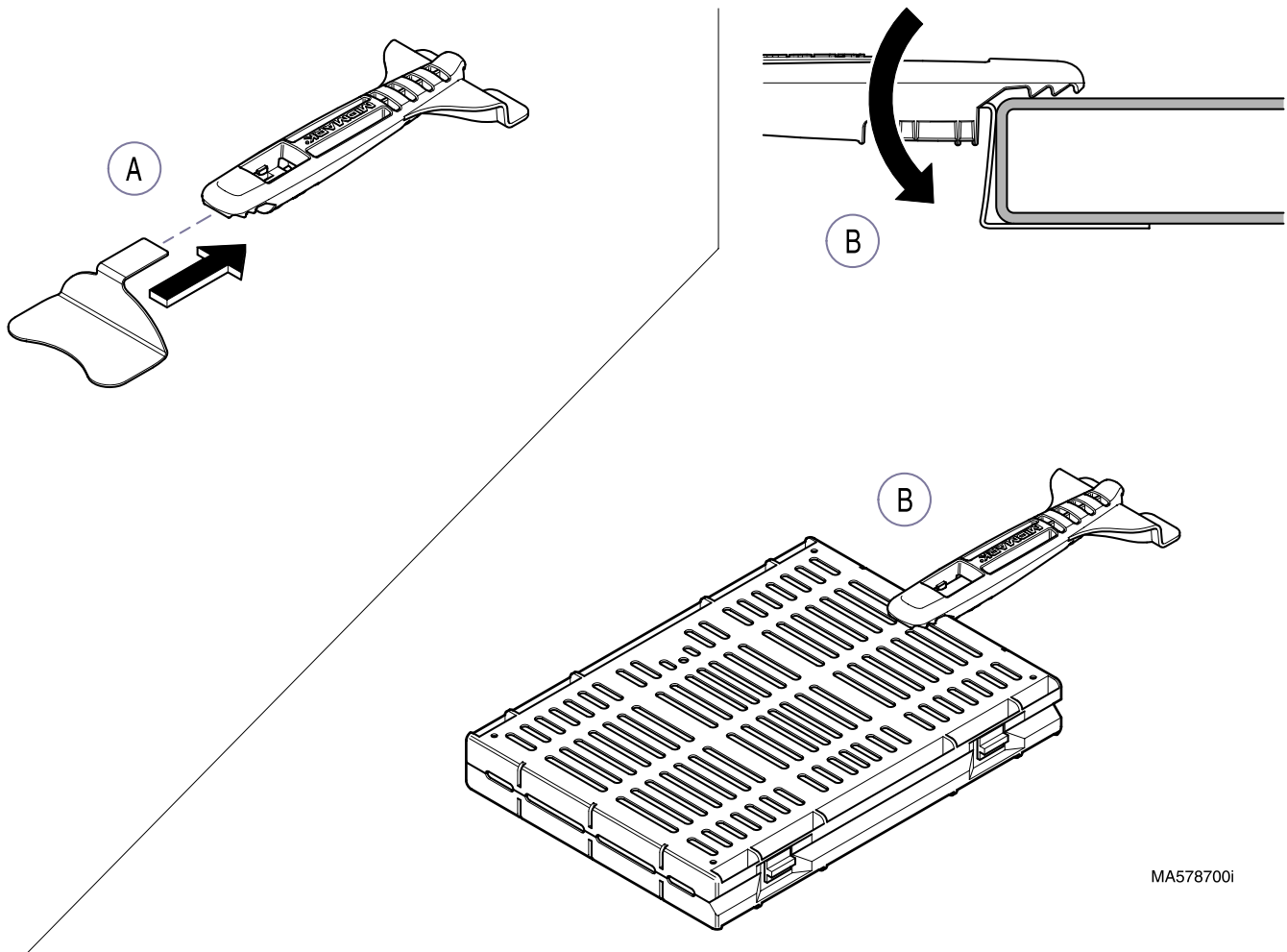


CAUTION

Only use this tool with Midmark manufactured trays. Use care when removing or transporting the trays, or cassettes, as they may be hot. Hold the tray level and slightly elevated to prevent it from shifting and becoming dislodged. Failure to comply may result in personal injury due to burns.

- A. On Model M4•9 Sterilizer, pull the bail outward to access the trays, hook the top tab of the tool to the center, top of the tray lip. Rotate tool downward, until bottom forks are completely beneath tray. Remove the tray.
- B. On Models M7, M9, or M11 insert the tray (smaller) plate into end of tool.
- C. Hook top, saw-toothed tab onto center, top of tray lip while rotating tool downward until bottom plate is completely beneath tray. Remove the tray.

CASSETTE REMOVAL



MA578700i

NOTE

The Cassette Tool is capable of handling cassettes up to 1 1/2" (3.8 cm) thick using the cassette plate attached to the handle.

- A. To remove cassettes from the Sterilizers insert the cassette (larger) plate into end of the tool.



CAUTION

When removing the cassette, hold the cassette tool so the end of the cassette is slightly elevated and use care to prevent it from sliding off the cassette tool.

NOTE

On M4•9 Sterilizer, pull the bail outward to access the cassettes.

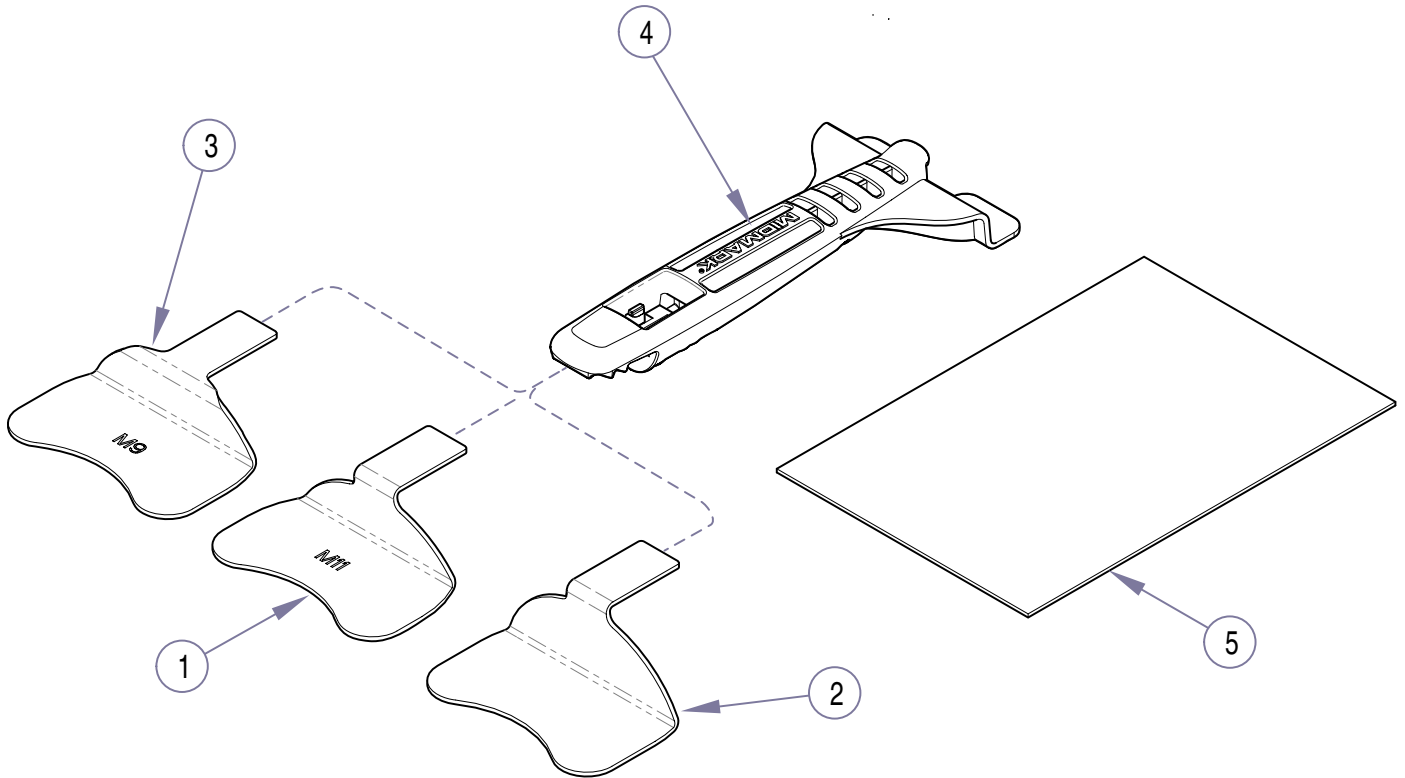
- B. Hook top, saw-toothed tab onto center, top of cassette while rotating tool downward until bottom plate is completely beneath the cassette, then remove the cassette.

MIDMARK®

Midmark Corporation, Versailles, Ohio 45380 U.S.A.
(937) 526-3662 FAX (937) 526-5542

003-1218-00 Rev. B (7/08)

Tray and Cassette Tool (M4.9 / M9 / M11)



MA604800i

Used on sterilizers with the serial number prefix; CZ, DA, DB, DX, DY, FD, FF, FG, FK, FL, FP, FR, FS, FT, FX, FY, GB, GC, GD, LA, LT, LV, OM and TFN

| Item | Part No. | Description | Qty. | Item | Part No. | Description | Qty. |
|------|--------------|------------------------------|------|------|--------------|-------------------------------|------|
| | 9A307001 | Tray and Cassette Tool | 1 | 3 | •050-4660-02 | •M9 Tray Plate | 1 |
| 1 | •050-4660-00 | •M11 Tray Plate | 1 | 4 | •053-1038-00 | •Tray / Cassette Tool | 1 |
| 2 | •050-4660-01 | •Cassette Plate | 1 | 5 | •003-1218-00 | •Tray Tool Instructions | 1 |

Always Specify Model & Serial Number